



ROUND MEDICINE BALL TREE

RTM1

Features:

- Rack can hold 16 medicine balls
- Welded steel for strength
- Four locking wheels
- Assembled size 66.5"H x 31"W

The Champion Sports ROUND MEDICINE BALL TREE is a four-sided rack with wheels that allow for easy movement. Spacing on this rack is large enough to hold any medicine balls with big diameters.

Assembly:

1. Lay all parts out before assembly.
2. Line up the 4 steel vertical rods with the pre-drilled holes in the top cap **(A)**.

FIGURE 1

3. Secure the top cap with M10*20 bolts and washers.
4. Attach the vertical rods **(B)** by inserting them to the molded verticals on the bottom base using M10*20 bolts, nuts and washers. **FIGURE 2**
5. Start from the bottom and align and attach the U-Brackets **(C)** on each of the 4 sides to the vertical rods using M10*50 bolts, nuts and washers. **NOTE:** U-Brackets are all the same size. Repeat the process all the way up and be sure to tighten all U-brackets securely. **FIGURE 2**

6. Your ball tree is now complete. **FIGURE 3**

Parts:

- 1 - Bottom Base
- 4 - Vertical Rods
- 1 - Top Cap
- 16 - U-Brackets
- 4 - M10*20 Bolts
- 40 - M10*50 Bolts
- 40 - M10 Nuts
- 44 - M10 Flat Washers
- 44 - M10 Split Washers
- 4 - Swivel Caster (2 Locking)



FIGURE 1

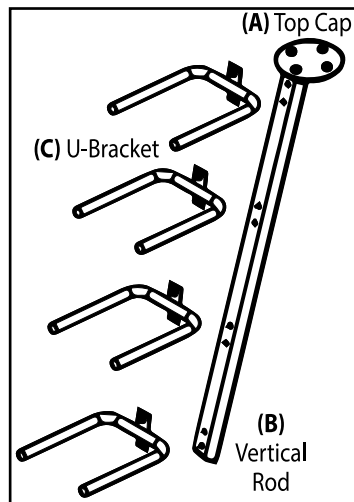


FIGURE 3

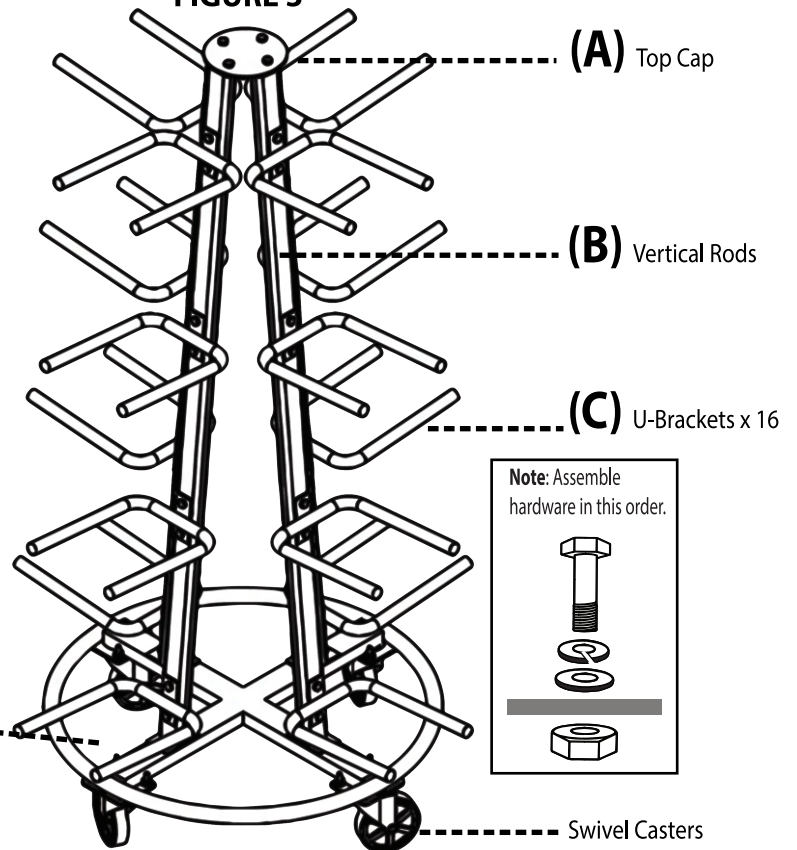


FIGURE 2

